

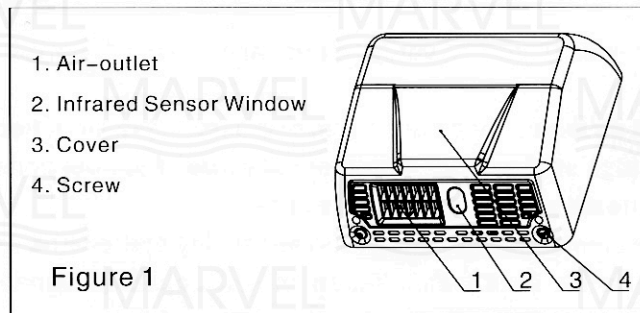
# HAND DRYER USER INSTRUCTION

Thank you for purchasing this hand dryer. This hand dryer is controlled by CPU, and adopts infrared sensor. It is durable and steady. All-metal cover and double protection for overheating can ensure that the hand dryer is durable, automatic, safe and applicable. With strong function of 17m/s air speed and 160m<sup>3</sup>/h blowing volume, it dries hands twice as quick as the general hand dryer. It completely satisfies the public places' usage.

## Features:

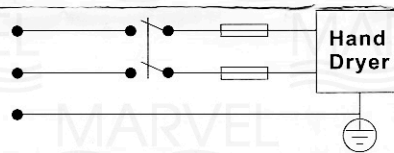
- ※ All-metal cover, which is durable;
- ※ Big blowing volume, low noise, strong power, short hand-dry time

## Components:

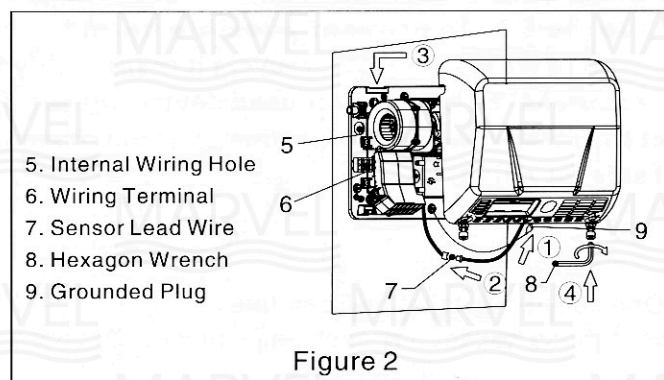


## Installation:

- ※ Electrical connection must be made to the fixed wiring of the property using a double pole isolating switch, with a break contact distance of at least 3mm.
- ※ This product must be grounded.



1. Remove the cover in order of ④ ③ ② ① as shown in (Figure2); Do not overexert while removing the cover to prevent from breaking the wire between the cover and the base;
2. Drill 4 holes of 8mm diameter, 35mm deep; (Figure3)
3. Fix the base to the holes by using the plugs and the screws attached; (Figure4)
4. Fix the hand dryer as shown in (Figure2), ① Connect the ground wire to the cover; ② Connect the lead wires of sensor in the cover and base; as shown in ③, hang the cover at the top of the base; lastly, press the cover to the base, and use the hexagon wrench attached to screw down the screws as shown in ④.
5. Concealed wire installation: remove the original power cord, lead the prepared wire into the hand dryer through the base hole, and connect the wire to the wiring terminal N, L and ⊕.



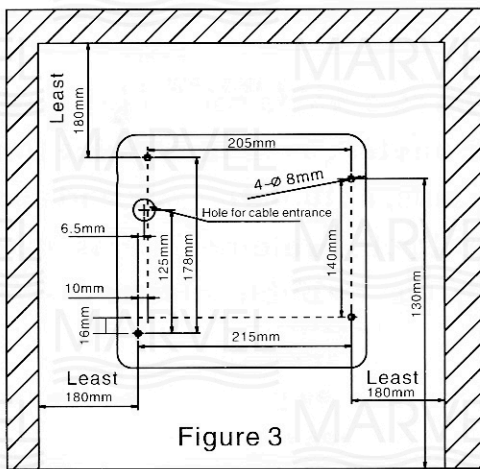


Figure 3

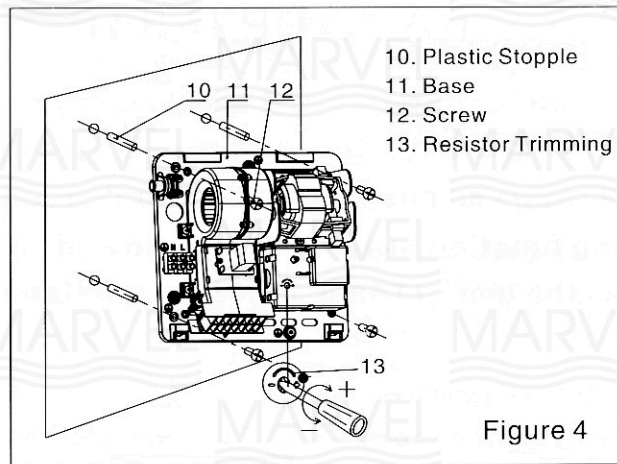


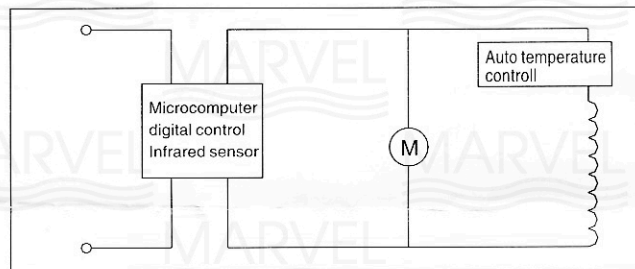
Figure 4

### Application:

1. After finish the installation, switch on the power, and the hand dryer will work automatically when place hands underneath the air outlet.
2. The hand dryer blows the hot air when hands are 11cm or closer to the air outlet, and it stops working 1 second after removing hands. It will also stop working automatically after 1 minute consecutive use. to restart the hand dryer, put hands back underneath and re-operate the sensor.
3. In order to meet different circumstances, the induction sensibility of the hand dryer is set at the highest point. If it works for overlong or does not work after installation, please adjust the sensor.

### Specification:

Rated voltage: 220V~  
 Rated frequency: 50Hz  
 Rated power: 1300W  
 Rated current: 5.9A  
 Waterproof: IPX1



### Notes:

1. The hand dryer must be installed away from the place for shower bath;
2. Do not install the product near the bathtub, washbowl or other vessels that contain water;
3. Avoid splattering the product with water;
4. Do not cover the air inlet and outlet;
5. Do not shake the hand dryer;
6. When the hand dryer is out of order during use, please cut off the power immediately, stop using it, and contact our company or find a qualified electrician to fix it;
7. This product is not intended to use by persons (include children) who are disabled, or lack of experience and knowledge, unless they are given instruction concerning about the use of the product and supervised by a person who is responsible for their safety;
8. If the supply cord is damaged, it must be replaced by the manufacturer, its service agent or a qualified electrician in order to avoid a hazard.

*If the supply cord is damaged, it must be replaced by the manufacturer, its service agent or similarly qualified persons in order to avoid a hazard.*



This marking indicates that this product should not be disposed with other household wastes throughout the EU. To prevent possible harm to the environment or human health from uncontrolled waste disposal, recycle it responsibly to promote the sustainable reuse of material resources. To return your used device, please use the return and collection systems or contact the retailer where the product was purchased. They can take this product for environmental safe recycling.

### Package:

Hand Dryer 1 Unit  
 One copy of User Manual, One copy of Installation Template  
 One pack of 4 pieces screws, 1 piece hexagon wrench and 4 pieces  $\varnothing$  8mm plastic stopples.