

Installation Template

HAND DRYER USER MANUAL

Thank you for purchasing this hand dryer. This hand dryer is designed for hotels, household and other public places. According to the characters of the public places, it adopts full-closed streamline plastic cover which has strong crash-proof, waterproof, good insulation ability and anti-electric shock function. It is completely satisfied with the bathroom, washroom and kitchen. With new generation of digital circuit and infrared sensor, it is accurate and stable. With 14.5m/s air speed and 60 °C hot air, it can dry hands quickly.

Features:

Built-in limit thermostat, when it is improper operation or the temperature of hot air is over the preset temperature; it will cut off the power automatically and stop working. Strong power, concentrated and comfortable hot air, short dry-hand time

Parts:

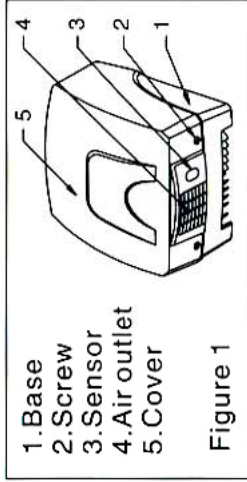


Figure 1

Installation:

- ※ Recommended installation height (measured from air outlet to the floor): for man 1.2m, for woman 1.1m, for child 0.9m.
- ※ Electrical connection must be made to the fixed wiring of the property using a double pole isolating switch, with a break contact distance of at least 3mm.



1. As showed in (Figure 2), remove two screws from the cover, follow Direction ①②, take off the cover.
2. As shown in (Figure 3), drill 3 holes of 6mm diameter.
3. Fix the base on the wall by using the plugs and screws attached. (Figure 4)
4. Concealed wire installation: remove the original power cord, lead the prepared wire into the hand dryer through the base hole, and connect the wire to the wiring terminal N, L.
5. Follow Direction ③④ in (Figure 2), put back the cover and fix it with the screws.

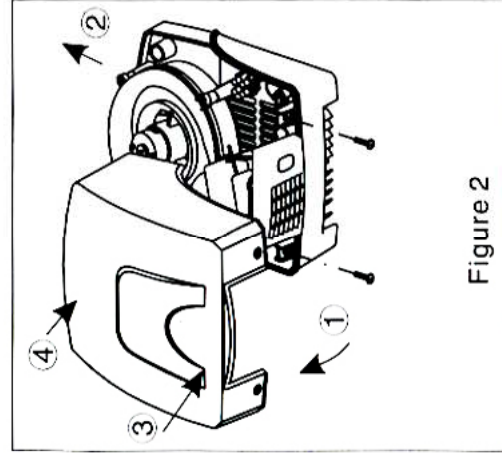


Figure 2

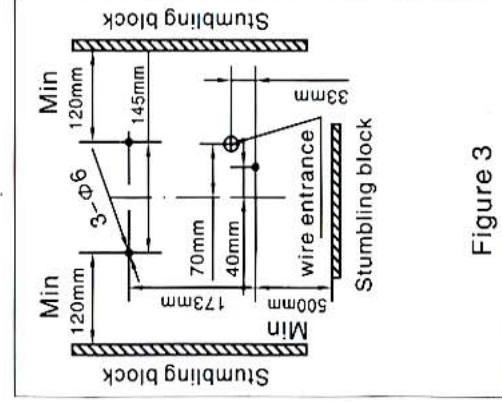


Figure 3

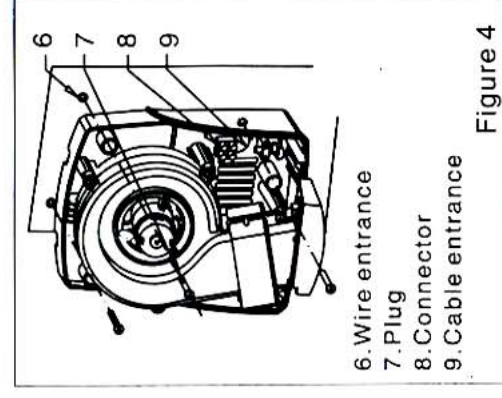


Figure 4

Application:

1. After finish the installation, switch on the power, and the hand dryer will work automatically when place hands underneath the air outlet.
2. The hand dryer blows the hot air when hands are 11 cm or closer to the air outlet, and it stops working 1 second after removing hands. It will also stop working automatically after 1 minute consecutive use. To restart the hand dryer, put hands back underneath and re-operate the sensor.
3. In order to meet different circumstances, the induction sensibility of the hand dryer is set at the highest point. If it works for overlong or does not work after installation, please adjust the sensor.

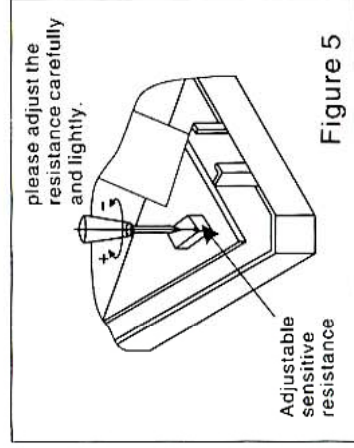
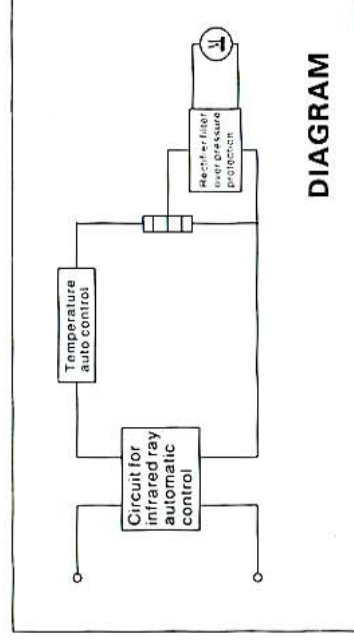


Figure 5



DIAGRAM

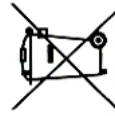
Specification:

Voltage	Power	Frequency	Water splash proof	Electric-shock safeguard
110V ~/120V ~	1500W	50Hz/60Hz	IP22	<input type="checkbox"/>
220V ~/230V ~/240V ~				

Note:

1. The hand dryer must be installed away from the place for shower bath;
2. Do not install the product near the bathtub, washbowl or other vessels that contain water;
3. Avoid spattering the product with water;
4. Do not cover the air inlet and outlet;
5. Do not shake the hand dryer;
6. When the hand dryer is out of order during use, please cut off the power immediately, stop using it, and contact our company or find a qualified electrician to fix it;
7. This product is not intended to use by persons (include children) who are disabled, or lack of experience and knowledge, unless they are given instruction concerning about the use of the product and supervised by a person who is responsible for their safety;
8. If the supply cord is damaged, it must be replaced by the manufacturer, its service agent or a qualified electrician in order to avoid a hazard.

If the supply cord is damaged, it must be replaced by the manufacturer, its service agent or similarly qualified persons in order to avoid a hazard.



This marking indicates that this product should not be disposed with other household wastes throughout the EU. To prevent possible harm to the environment or human health from uncontrolled waste disposal, recycle it responsibly to promote the sustainable reuse of material resources. To return your used device, please use the return and collection systems or contact the retailer where the product was purchased. They can take this product for environmental safe recycling.

Package:

- One set of hand dryer.
- One copy of user manual.
- One copy of installation template.
- One pack of 3 pcs of 4x25 screws and 3 pcs of \varnothing 6 plugs.