

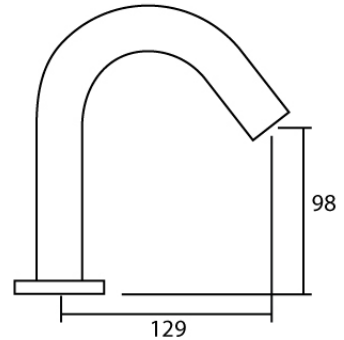
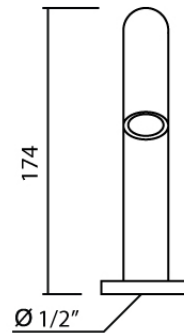


MATERIAL APPROVAL

Description	Automatic Faucet
Model	MF-1503/S
Brand	MARVEL



MODEL : MF-1503/S  
(mm.)



Product Specification

Material	Brass with chrome
Operate Voltage	6VDC with AA battery 300,000 cycles / AC 220V with circuit breaker protection with IEC 898 standard
Detection Zone	12 - 18 cm. (Adjustable by remote control)
Suitable Water Pressure	0.5 - 6 Bar
Flow Rate	0.5 gpm / 1.5 lpm
Ambient Temperature	0.1 - 45 °C
Dia. Of Inlet / Outlet Pipe	G1/2" (DN15)
Warranty	3 Years
Standard	ISO9001:2015 / CE / UL

